

100% of Actual Size  
Sublimation

92mm

220mm

Please note there will be a white space between the top of the artwork and the lip of the mug. Bleeding artwork off the top is not possible.

Top View  
of  
Print Area

**Blue Line = The SIGNIFICANT PRINT AREA**

*(Keep all critical images & text within this box)*

**Black Line = Maximum print area**

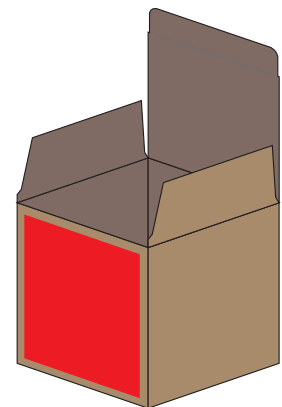
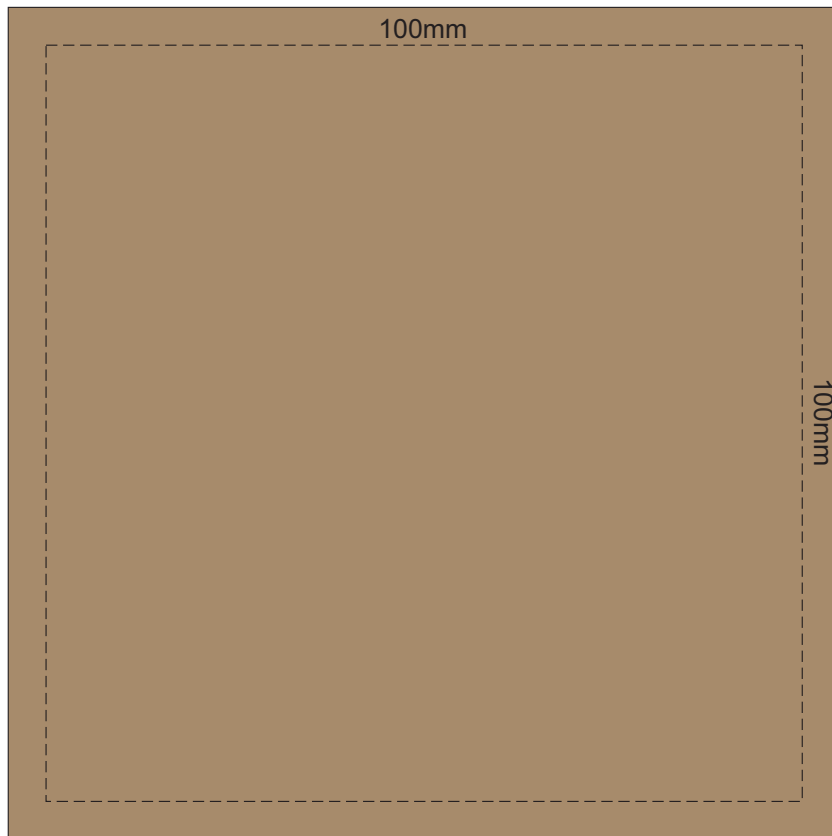
**Red Line = Exact opposites of the product**

*(centre artwork to the red line)*

**QUALITY OF CERAMICS**

Due to the inherent properties of ceramic ware produced by foreign manufacturers, there may be small imperfections or irregularities which should not be perceived as defective. Variations in materials firing temperatures and colour pigment may result in variations in glaze and imprint colours. These variations are considered acceptable.

100% of Actual Size  
Digital Packaging Print

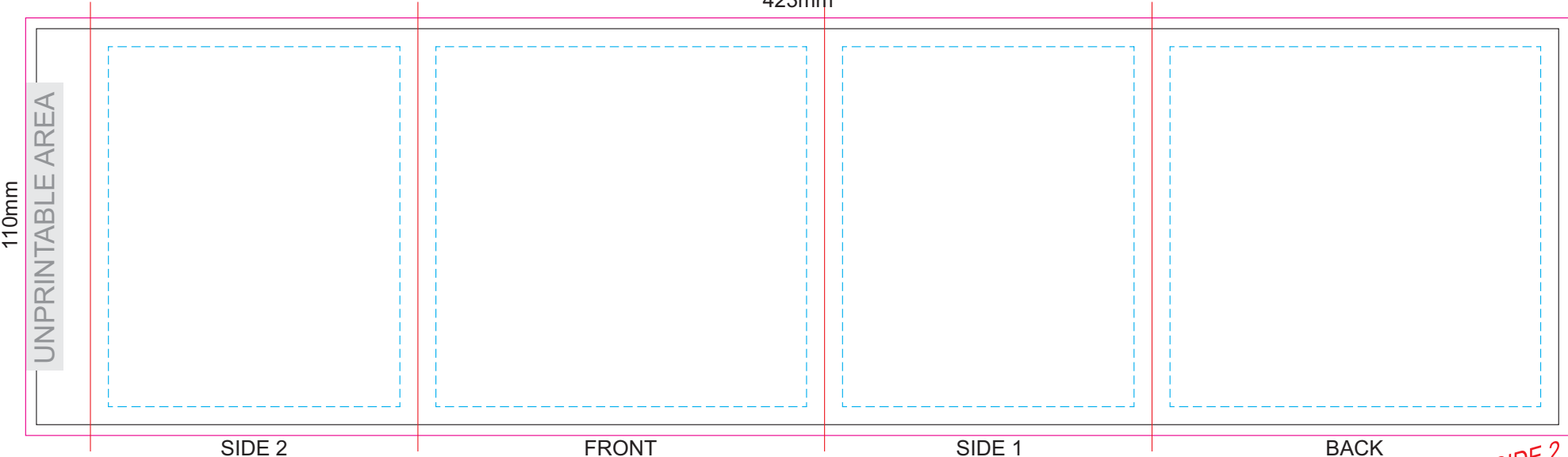


GIFT BOX  
FRONT

Artwork will be printed directly onto the product via CMYK printing (no white), colours will not be vibrant due to white ink not being available for this process.

**GIFT BOX SLEEVE**

60% of Actual Size  
Digital Print  
423mm



Blue Line = The SIGNIFICANT PRINT AREA  
(Keep all critical images & text within this box)  
Black Line = Maximum print area  
Pink Line = Bleed off to here  
Red Line = Fold Line

