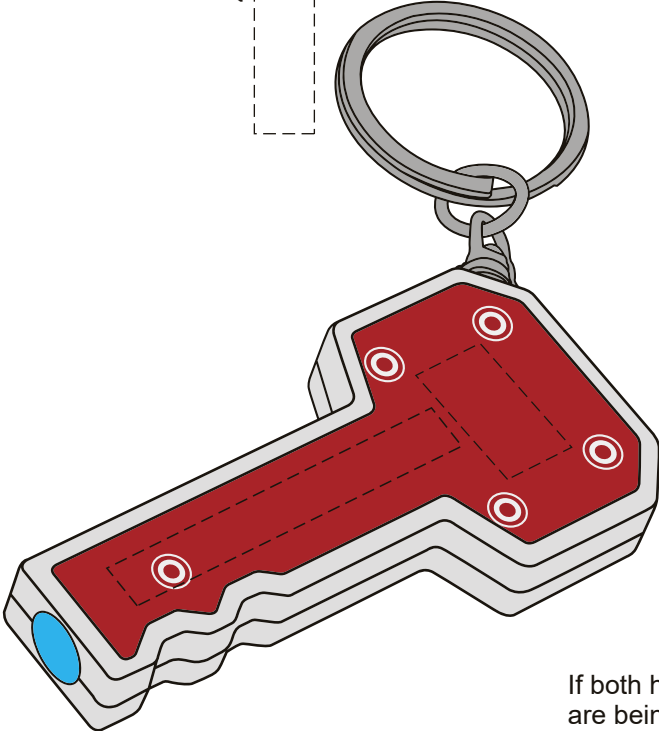
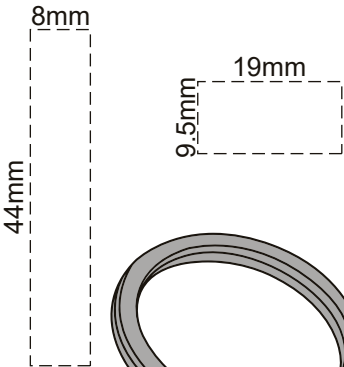


Screen print area at 100%  
(two colour max)

Blade

Head



If both head and blade positions are being imprinted, the blade imprint reduces to L32mm x W8mm

